



Approved by:

Checked by:

Issued by:

**APPROVAL SHEET**

**承认书**

PRODUCT: PIEZOELECTRIC

CERAMICS TRANSDUCER

MODEL: HW-16-112E-E0

112KHz CASE

## 1. SCOPE

This specification covers the piezoelectric ceramic transducer for wee atomization.

## 2. TYPE

HW-16-112E-E0

## 3. SPECIFICATIONS

### 3.1 DIMENSIONS

As per the drawing No.HW-16-112E-E0

### 3.2 ELECTRONICAL SPECIFICATION

#### 3.2.1 Resonant Frequency (fr)

$$Fr=112 \text{ KHz} \pm 3\text{KHz}$$

#### 3.2.1 (Ro)

$$Ro=\text{max. } 80\Omega$$

#### 3.2.3 (Cp)

$$Cp=3000\text{pF} \pm 15\%$$

## 4. TEST PROCEDURE

4.1 TEST ATOMSPHERE  $23 \pm 3^{\circ}\text{C}$  40~70%RH.

4.2 Fr AND Ro : The HP-2818 Impedance Analyzer.

## 5. INPUT FOR TRANSDUCER

MAXIMUM INPUT

Voltage: 80 vp-p

6. INPUT VOLTAGE

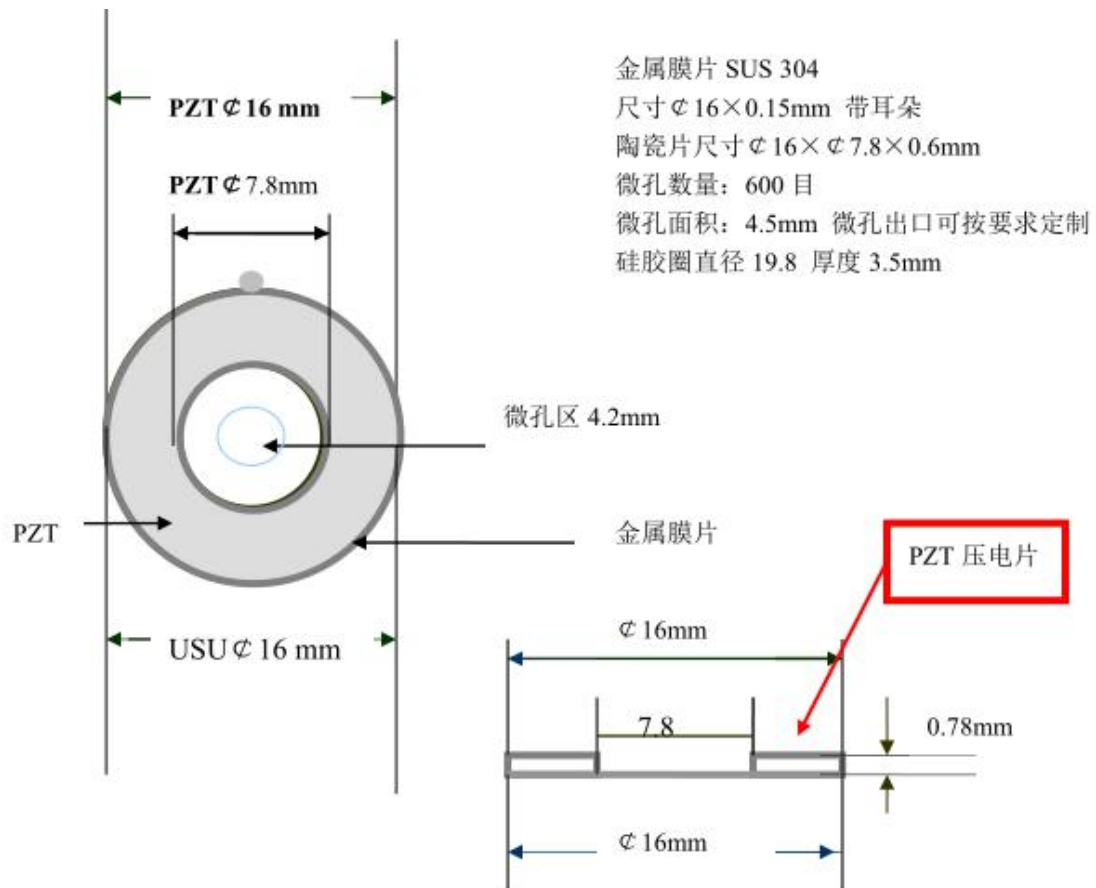
Input Voltage: DC3-12V

7. POWER

Max Input Power 2W.

( Normal use 1~1.5w) DC3-12V

8. Configuration Sketch Map



Unit:mm

TY-20-113E-E0