



Approved by:

Checked by:

Issued by:

APPROVAL SHEET

承认书

PRODUCT: PIEZOELECTRIC

CERAMICS TRANSDUCER

MODEL: HW-13.8-160E-E0

160KHz CASE

1. SCOPE

This specification covers the piezoelectric ceramic transducer for wee atomization.

2. TYPE

HW-13.8-160E-E0

3. SPECIFICATIONS

3.1 DIMENSIONS

As per the drawing No.HW-13.8-160E-E0

3.2 ELECTRICAL SPECIFICATION

3.2.1 Resonant Frequency (fr)

$$Fr=160 \text{ KHz} \pm 3\text{KHz}$$

3.2.1 (Ro)

$$Ro=\text{max. } 120\Omega$$

3.2.3 (Cp)

$$Cp=1600\text{pF} \pm 15\%$$

4. TEST PROCEDURE

4.1 TEST ATOMSPHERE $23 \pm 3^{\circ}\text{C}$ 40~70%RH.

4.2 Fr AND Ro : The HP-2818 Impedance Analyzer.

5. INPUT FOR TRANSDUCER

MAXIMUM INPUT

Voltage: 65vp-p

6. INPUT VOLTAGE

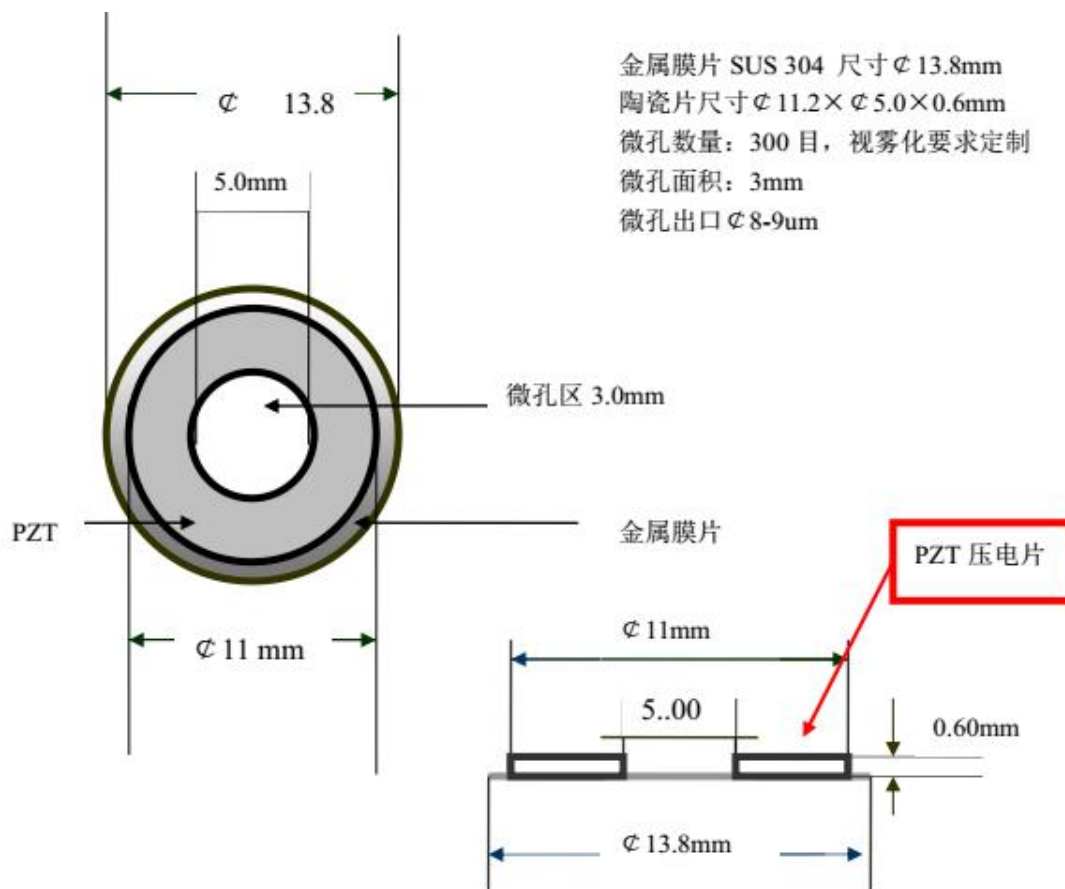
Input Voltage: DC3-12V

7. POWER

Max Input Power 2W.

(Normal use 1~1.5w) DC3-12V

8. Configuration Sketch Map



Unit:mm